

CTE ZED 26 J

IDEAL FOR

- Roof repairs
- Signwriting
- Window cleaning
- Film and TV productions
- General maintenance
- Telecoms

SPECIFICATIONS

| Specification | Metric | Imperial |
|-----------------------------|-----------------------|-------------------|
| Working Height | 26.00m | 85ft 4in |
| Platform Height | 24.00m | 78ft 9in |
| Working Outreach @230kg SWL | 14.00m | 45ft 11in |
| Slew | 280° | |
| Width | Travelling | 2.50m / 8ft 2in |
| | Working | 3.00m / 9ft 9in |
| Height (stowed) | 3.26m | 10ft 8in |
| Length | 7.30m | 23ft 11in |
| Gross Vehicle Weight | 7,500kg | 16,538lb |
| Platform Capacity | 230kg | 507lb |
| Platform Size | 1.80m x 0.70m | 70in x 27in |
| | 0.50m x 0.50m x 0.05m | 20in x 20in x 2in |
| Outrigger Spreader Pad | | |

26m

CASE STUDY

NATURE OF JOB:
Brickwork repair on the outside of a building.

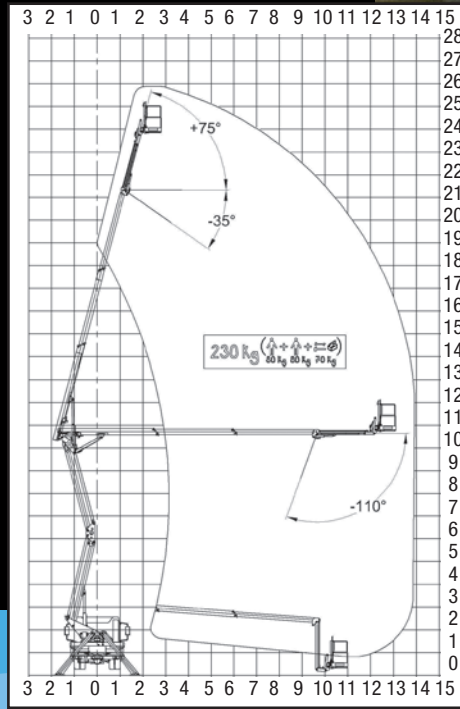
REASON FOR CHOOSING THIS MACHINE:
Fast set up and ability to work between various locations, articulated boom to get up and over obstacles, articulated fly jib, expert operator

CHALLENGE:
In order to access the building, the customer had to get up and over obstacles to reach the area of work. A high wall alongside the work area also posed a challenge to the machine set up.

EQUIPMENT:
CTE ZED 26 J.

SOLUTION

The customer had to carry out brickwork repair on the back of a building that was attached to a housing complex. The articulated boom provided access over the houses, while having an operator meant the builder was able to get on with the job in hand.



The compact footprint meant the operator could position the machine as close to the gable wall of the end house as possible, making access to the work area easier, while keeping the machine steady. Quick and easy set up meant the customer could move along the building as required.

CTE ZED 26 J

